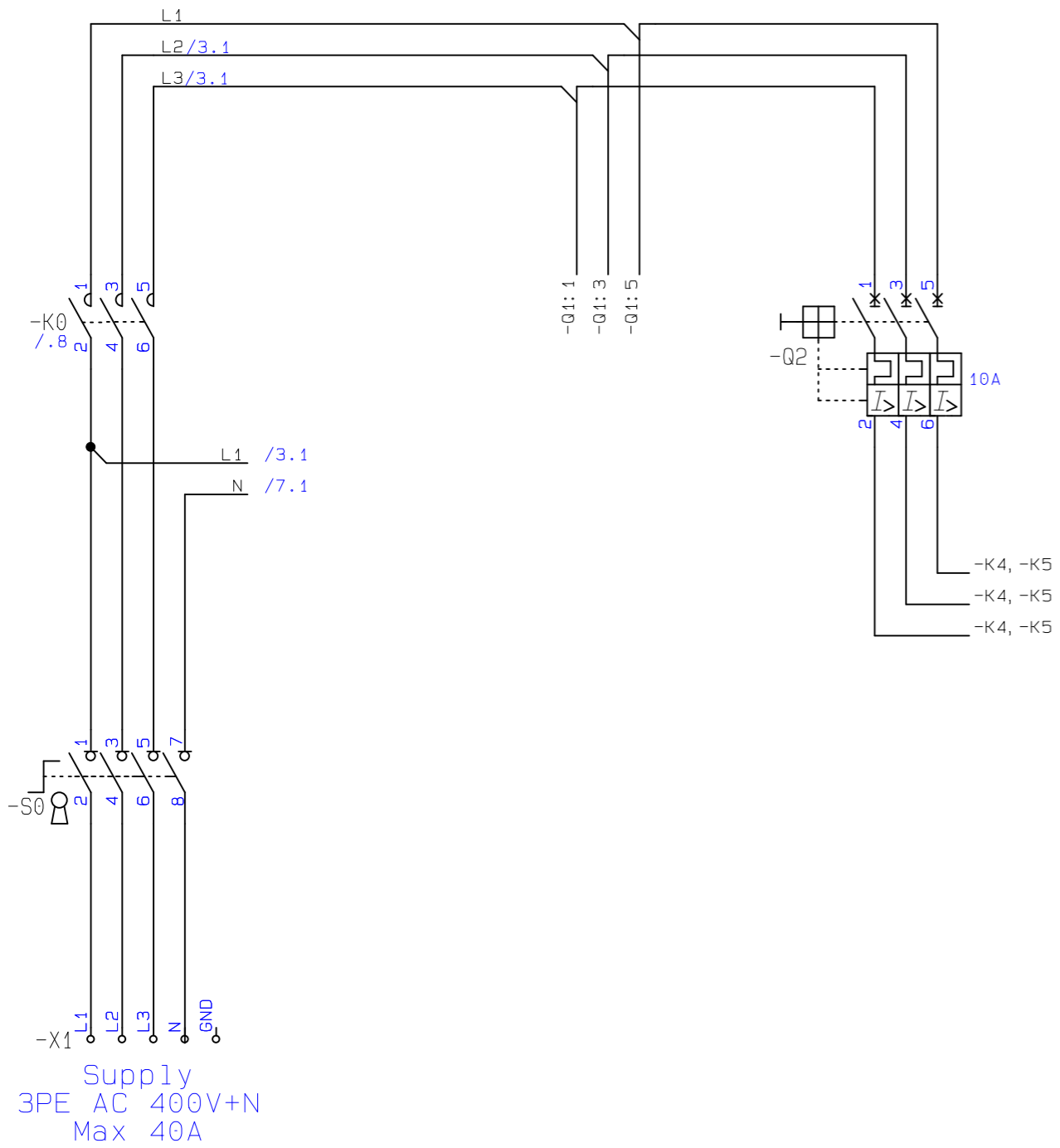


OneTouch 400V

Project title: OneTouch 400V	Project no.:	Project rev.:	Page 1
Customer: Serigstad	DCC:		Scale: 1:1
Page title: Frontpage	Drawing no.:	Page rev.:	Previous page:
Filename: OneTouch H400VS24V	Constructor:	Last printed: 11.02.2019	Next page: 2
Page ref.:	Appr. (date/sign.):	Last correction: 18.12.2018	Number of pages: 17

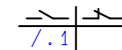
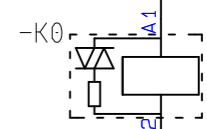
Pos	Page no.	Title	Page remarks	Revision	Last corrected
1	1	Frontpage			07.11.2018
2	2	Innhold			07.11.2018
3		Hovedstrøm			
4	2	Hovedstrøm 1			07.11.2018
5	3	Kutter			07.11.2018
6	4	Bunnbelte			07.11.2018
7	5	Sideutmater			07.11.2018
8	6	Løpekatt			07.11.2018
9	7	Styrestrøm			07.11.2018
10		Styrestrøm			
11	8	Innganger			07.11.2018
12	9	Utganger			07.11.2018
13	10	Sikkerhetsrelé			07.11.2018
14	11	Oversikt			07.11.2018
15		PLS			
16	12	PLS 01			07.11.2018
17	13	PLS 02			07.11.2018
18					
19					
20					
21					
22					
23					
24					
25					
26					
27					
28					

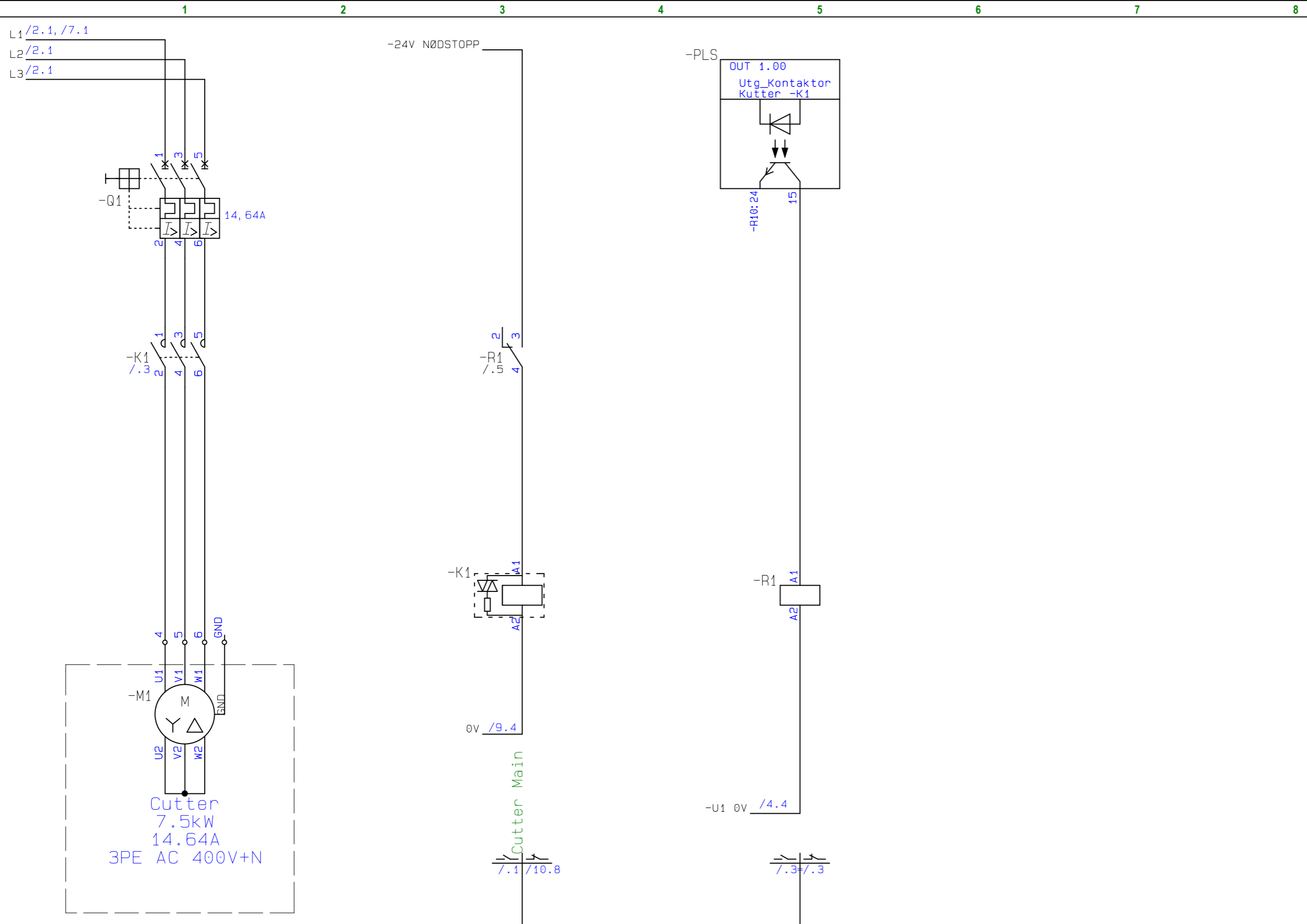
Hovedstrøm



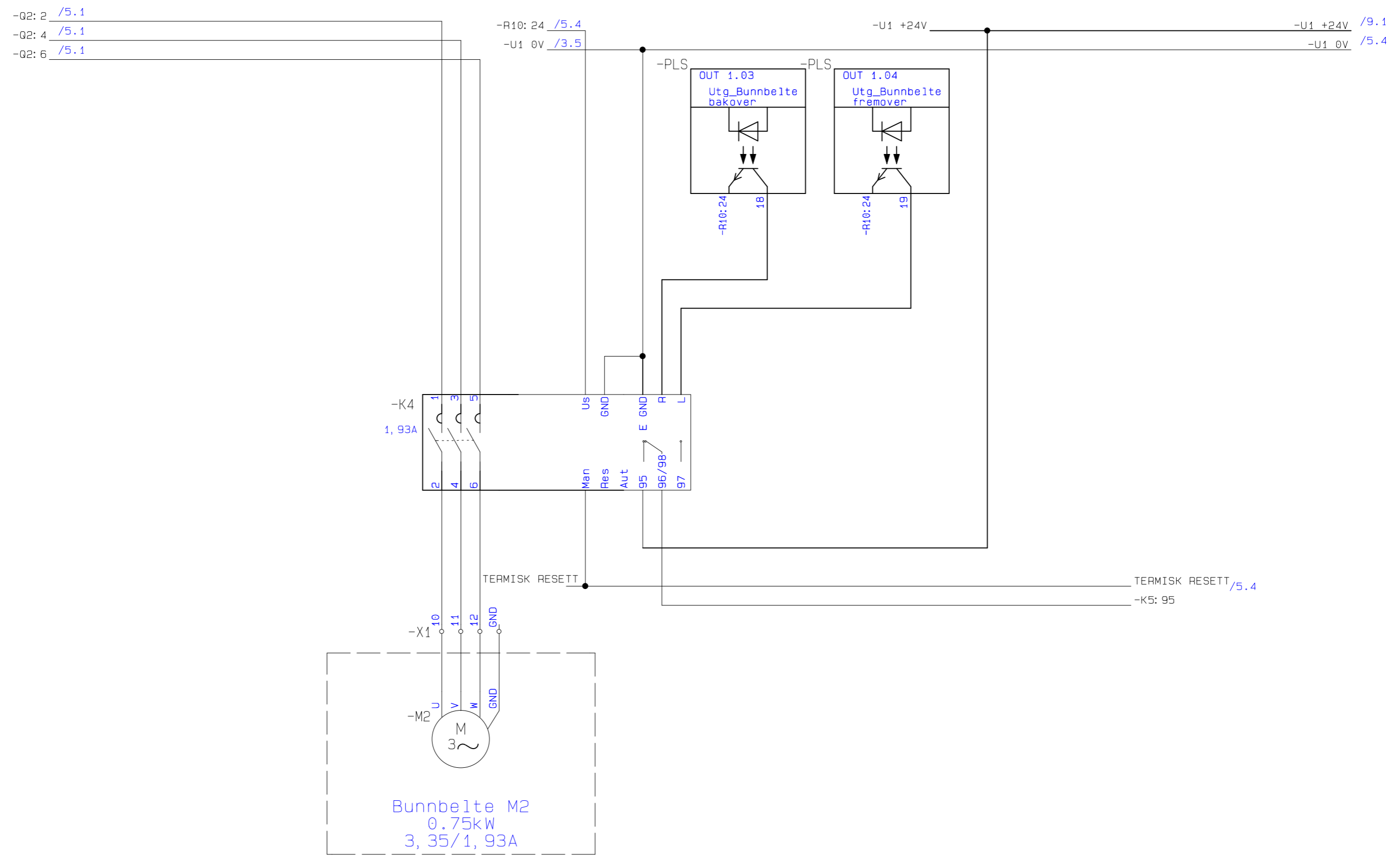
-R10: 24 +24V

-U1: 0V

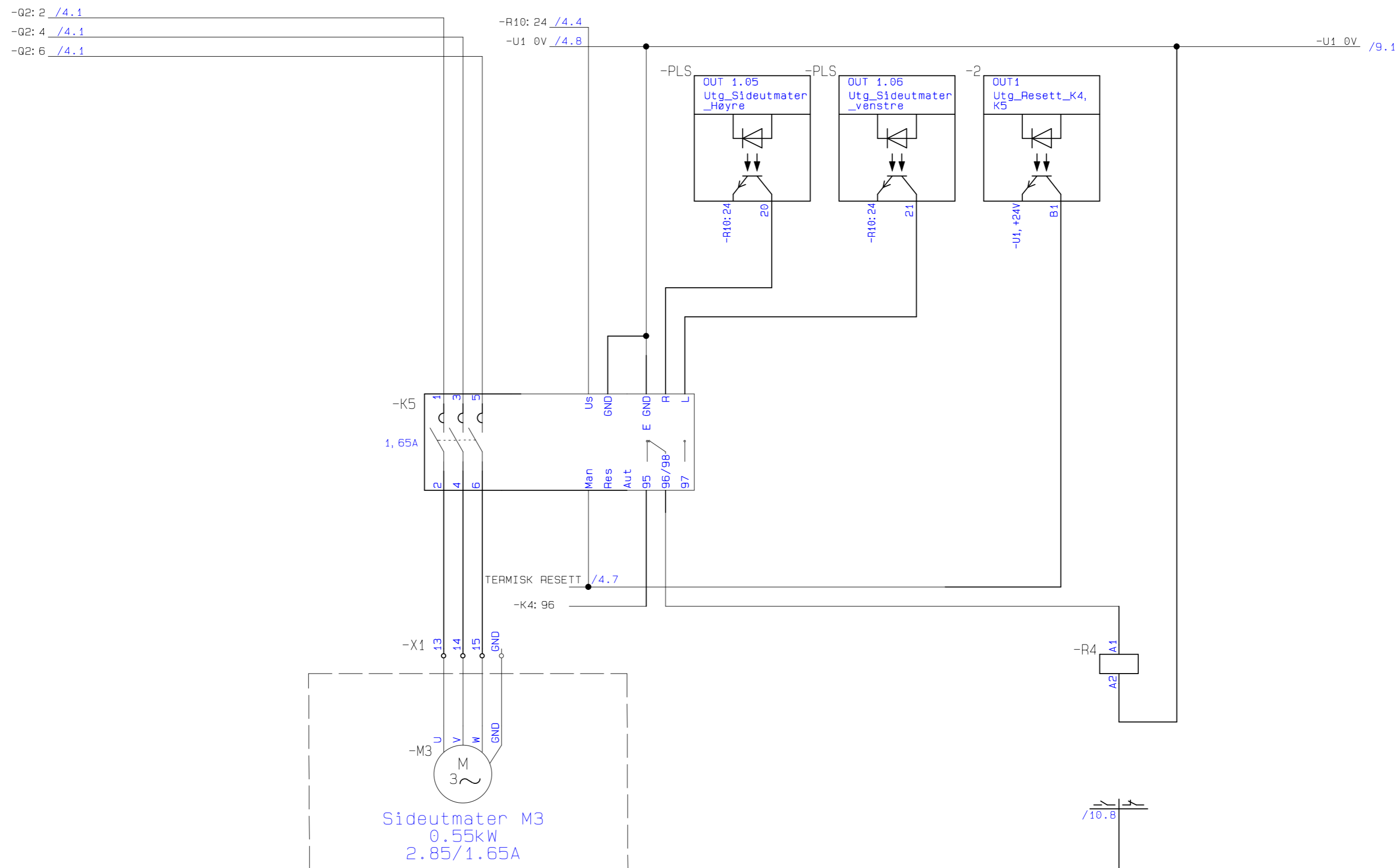


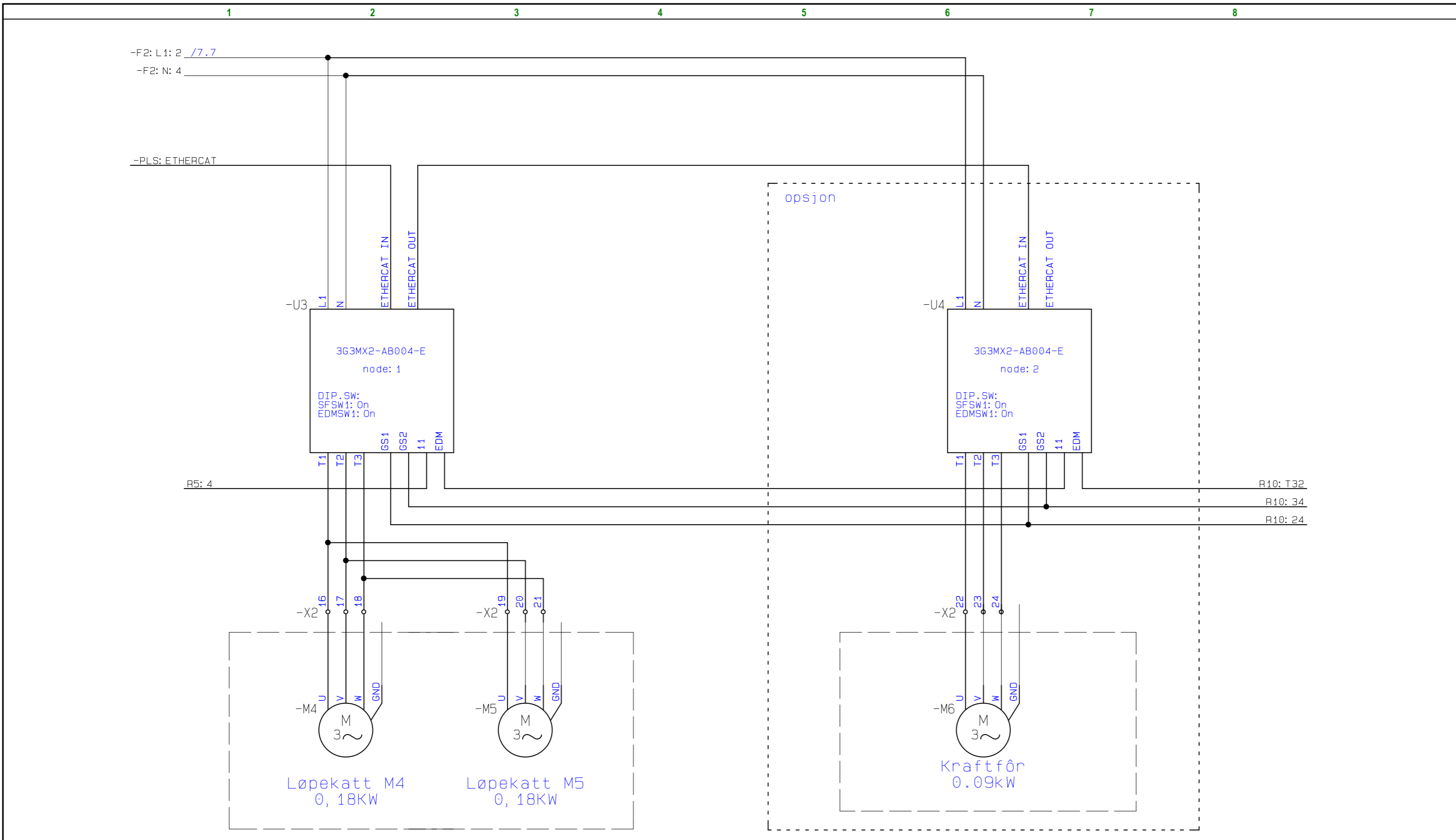


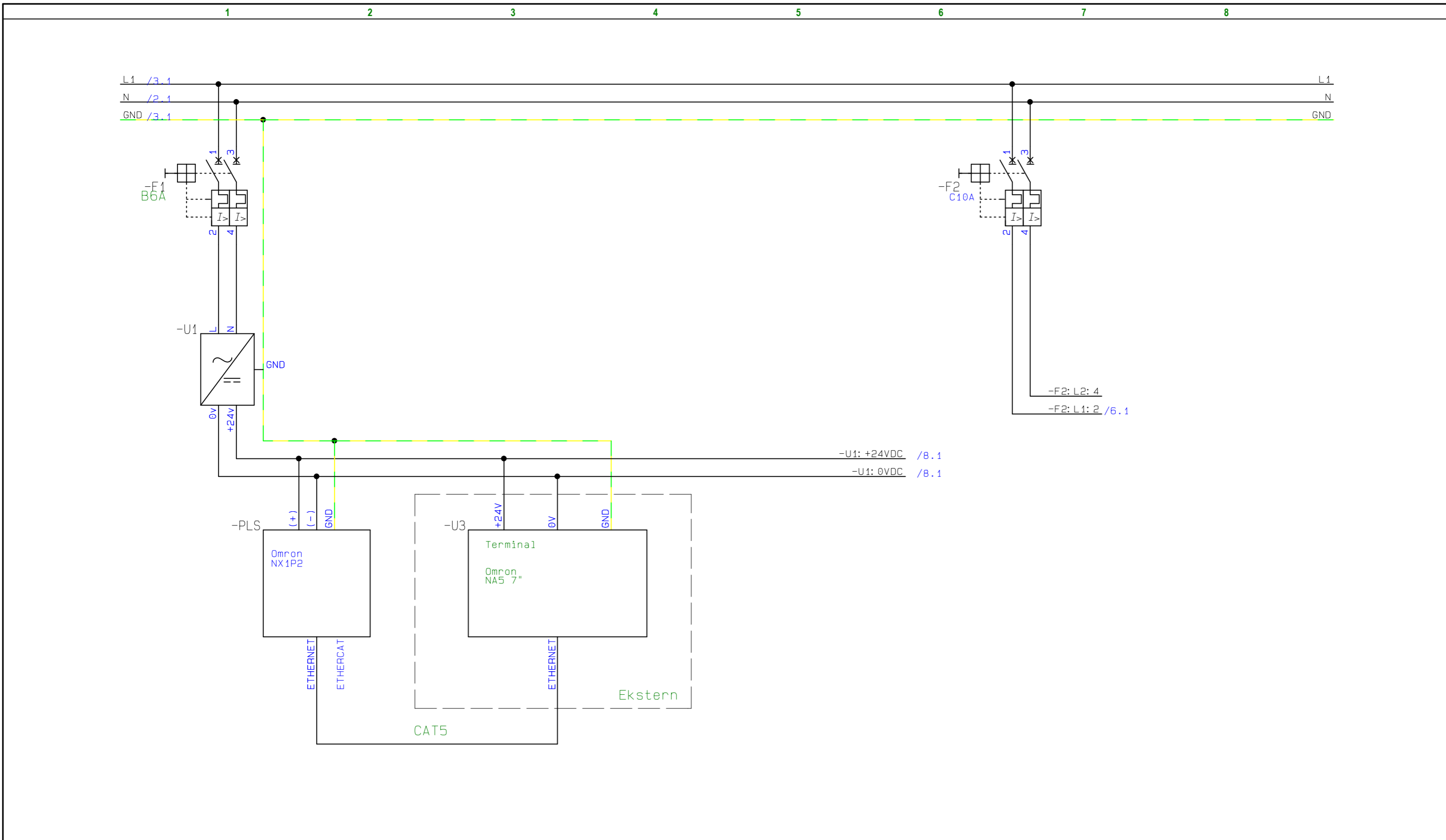
Project title: OneTouch 400V	Project no.:	Project rev.:	Page 3
Customer: Serigstad	DCC:		Scale: 1:1
Page title: Kutter	Drawing no.:	Page rev.:	Previous page: 2
Filename: OneTouch H400VS24V	Constructor:	Last printed: 11.02.2019	Next page: 4
Page ref.:	Appr. (date/sign.):	Last correction: 11.02.2019	Number of pages: 17



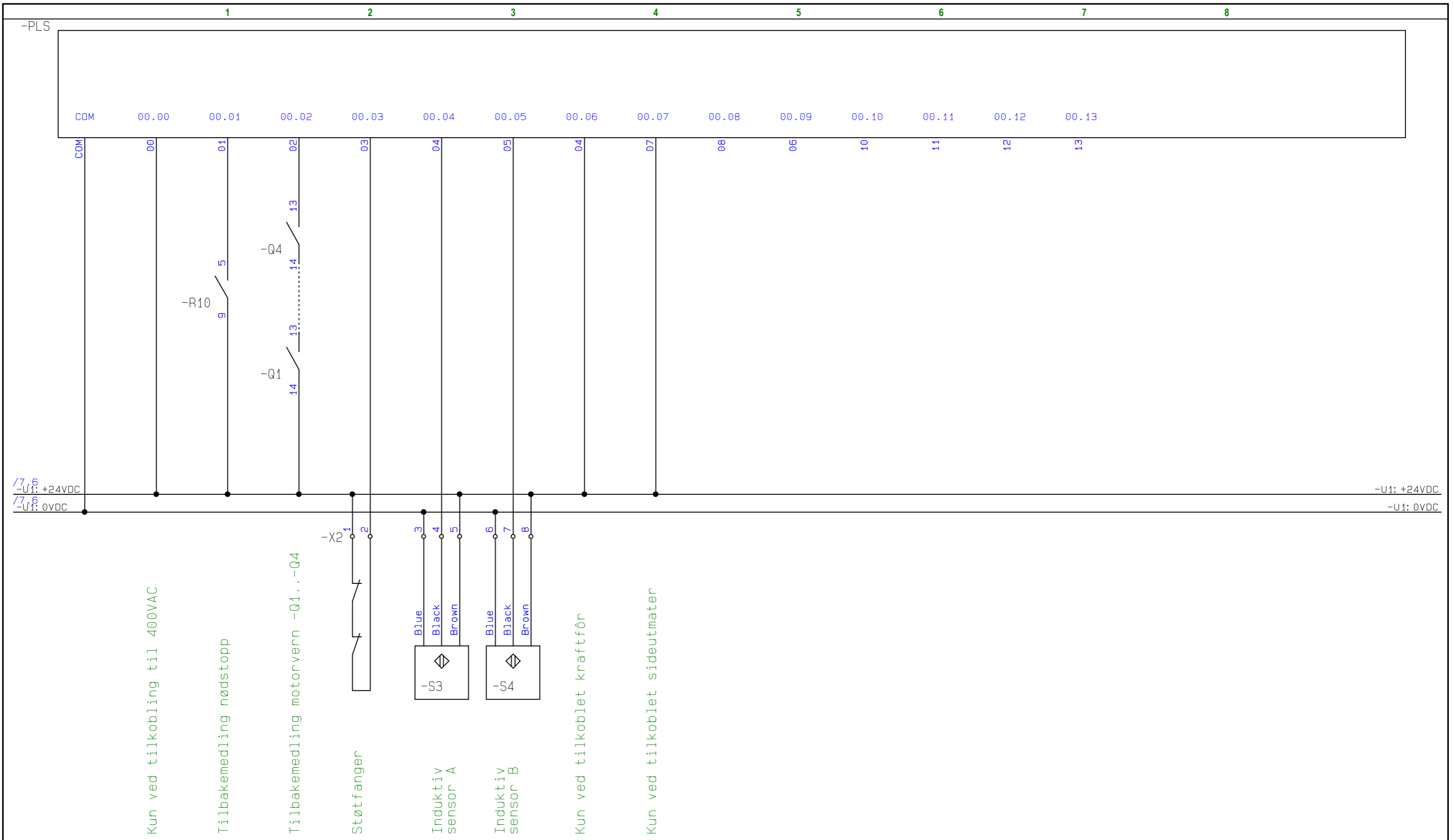
Project title: OneTouch 400V	Project no.:	Project rev.:	Page 4
Customer: Serigstad	DCC:		Scale: 1:1
Page title: Bunnbelte	Drawing no.:	Page rev.:	Previous page: 3
Filename: OneTouch H400VS24V	Constructor:	Last printed: 11.02.2019	Next page: 5
Page ref.:	Appr. (date/sign.):	Last correction: 18.12.2018	Number of pages: 17





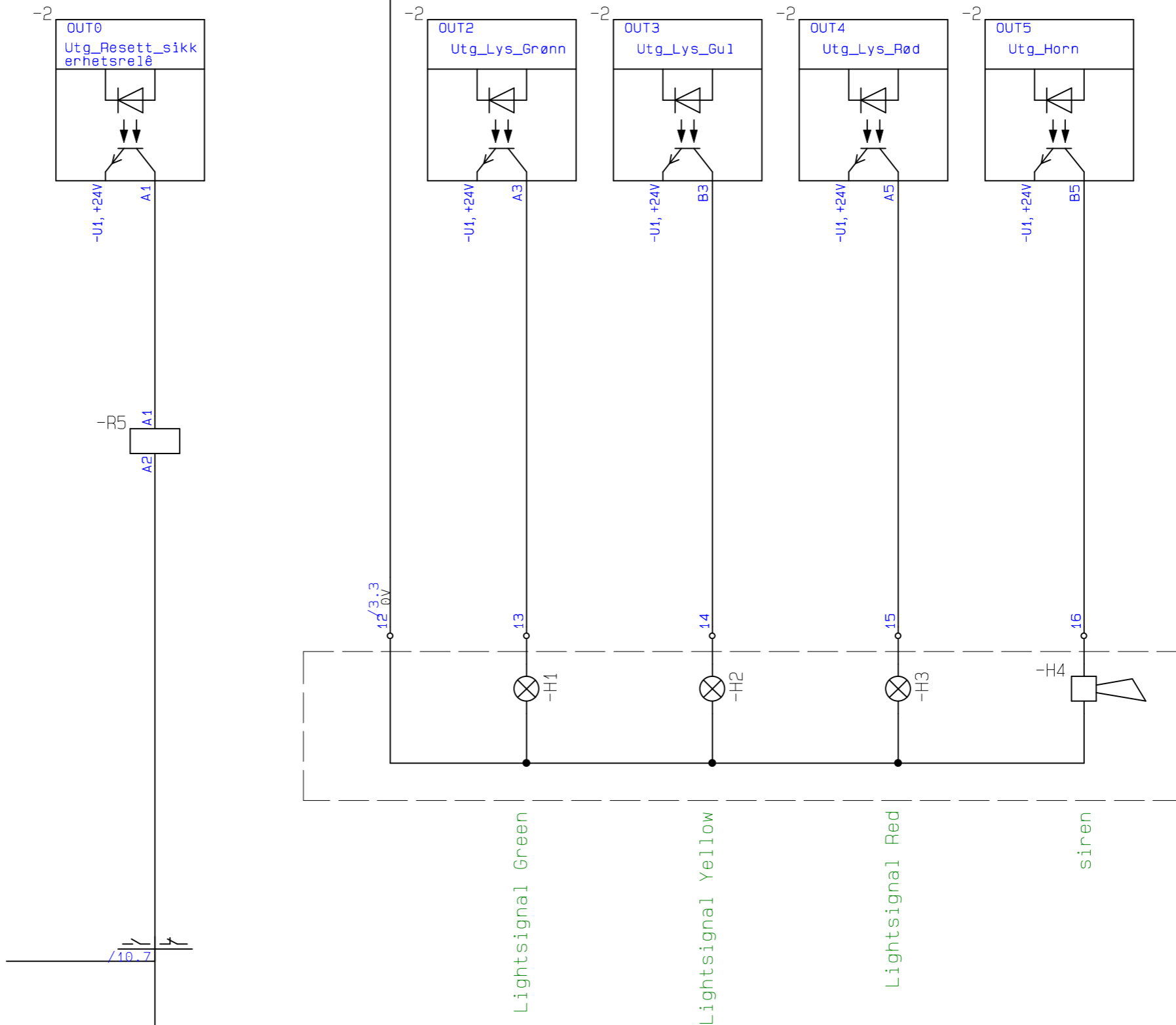


Styrestrom



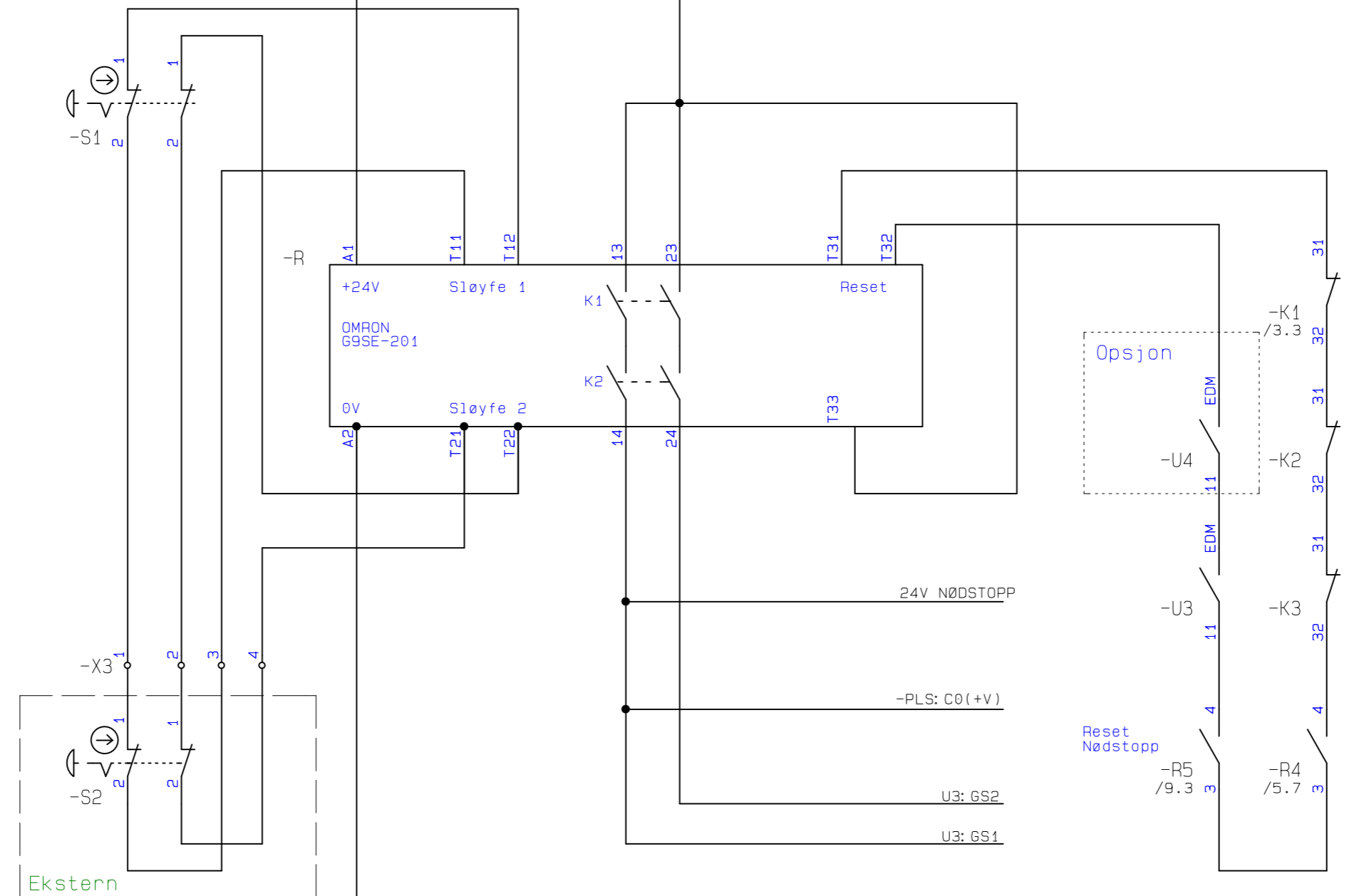
/4,8
-U1 +24V
/5,8
-U1 0V

-U1 +24V /10.1
-U1 0V /10.1



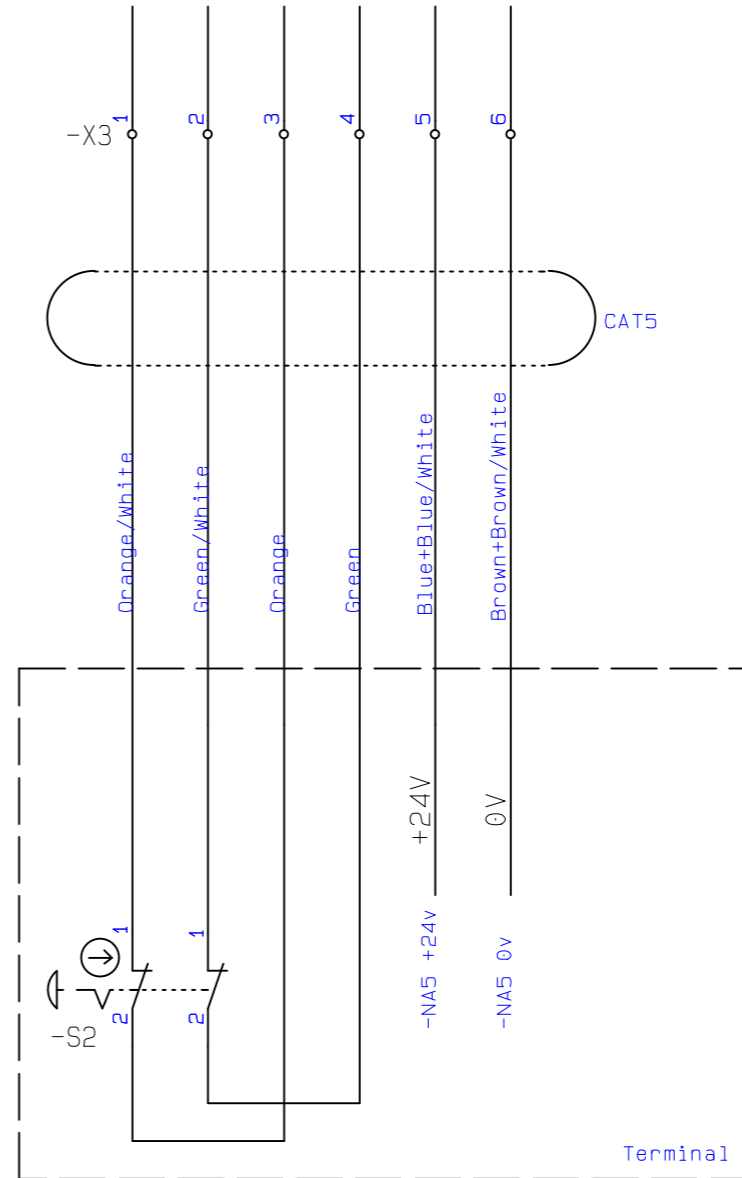
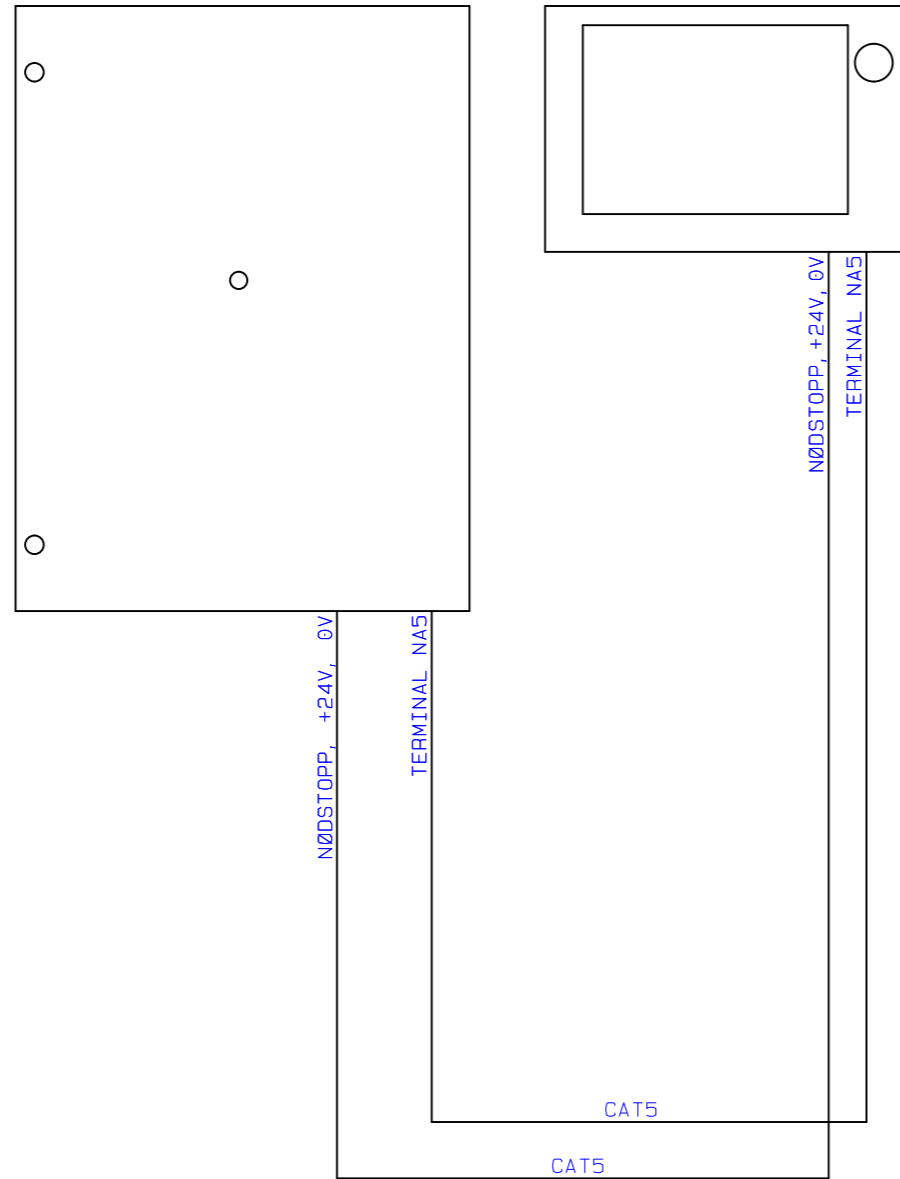
/9.8 -U1 +24V

-U1 +24V



/9.8 -U1 0V

-U1 0V



Project title: OneTouch 400V	Project no.:	Project rev.:	Page 11
Customer: Serigstad	DCC:		Scale: 1:1
Page title: Oversikt	Drawing no.:	Page rev.:	Previous page: 10
Filename: OneTouch H400VS24V	Constructor (project/page)	Last printed: 11.02.2019	Next page: 12
Page ref.:	Appr. (date/sign.)	Last correction: 18.12.2018	Number of pages: 17

PLS

-PLS

In.00	In_400V AC	1	OUT 1.00	Utg_Kontaktor Kutter -K1	15
In.01	In_Nødstop	2	OUT 1.01	Utg_Kontaktor Kutter -K2	16
In.02	In_Tilbakemedling_Motorvern	3	OUT 1.02	Utg_Kontaktor Kutter -K3	17
In.03	In_Induktiv_sensor_front	4	OUT 1.03	Utg_Bunnbelte bakover	18
In.04	In_Induktiv_sensor_bak	5	OUT 1.04	Utg_Bunnbelte fremover	19
In.05	In_Rotasjonsvakt	6	OUT 1.05	Utg_Sideutmater_Høyre	20
In.06		7	OUT 1.06	Utg_Sideutmater_venstre	21
In.07		8	OUT 1.07		22
In.08		9	OUT 1.08		23
In.09		10	OUT 1.09		24
In.10		11			
In.11		12			
In.12		13			
In.13		14			

1

2

3

4

5

6

7

8

-2 004256	
A1 OUT0 Utg_Resett_sikkerhetsrelê	A2 IOG
B1 OUT1 Utg_Resett_K4,K5	B2 IOG
A3 OUT2 Utg_Lys_Grønn	A4 IOG
B3 OUT3 Utg_Lys_Gul	B4 IOG
A5 OUT4 Utg_Lys_Rød	A6 IOG
B5 OUT5 Utg_Horn	B6 IOG
A7 OUT6	A8 IOG
B7 OUT7	B8 IOG